



威 卓

F_{50P}

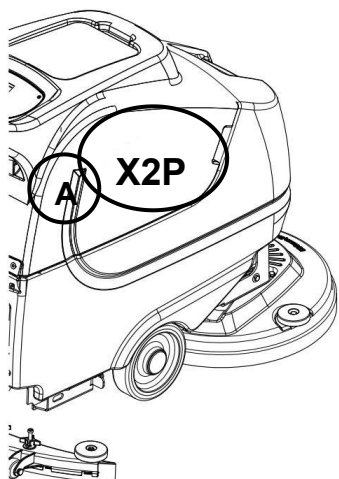
Scrubber-Dryer

Parts Manual

Made In China

www.ntwz.com

标准部件



序号	编号	产品描述
1	570001	污水箱上盖总成
2	570002	污水箱密封圈
3	590001	警告标签
4	LS0008	M4×12 圆头十字螺丝

HOW TO ORDER PARTS — See diagram above

You can contact with your machine's supplier or WEIZHUO headquarters by telephone, by fax or by email .

Follow the steps below to ensure prompt delivery:

- > (A) First , provide the machine model .
- > (B) Provide machine assembly figure the serial number of the data.
- > (C) Provide machine assembly figure of Numbers and accessories name.
- > Provide detailed shipping instructions.
- > Provide your name , company name , shipping address , phone number and purchase order number.

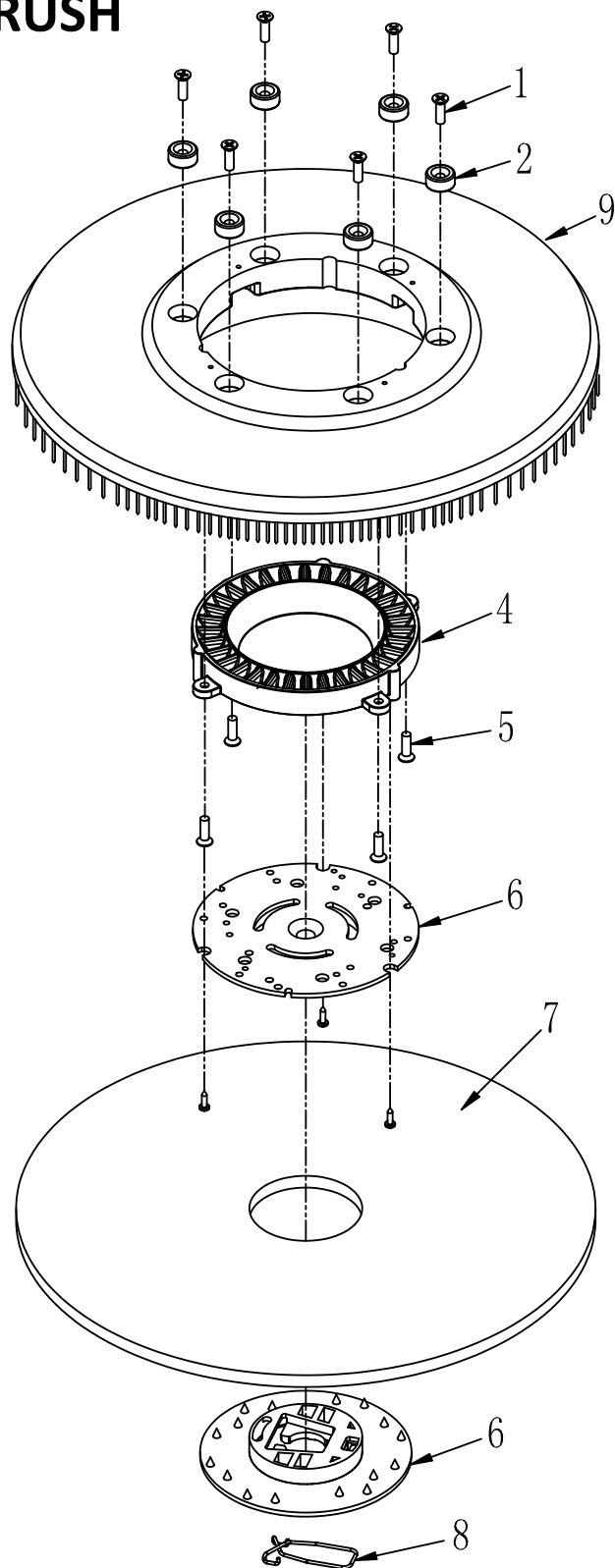
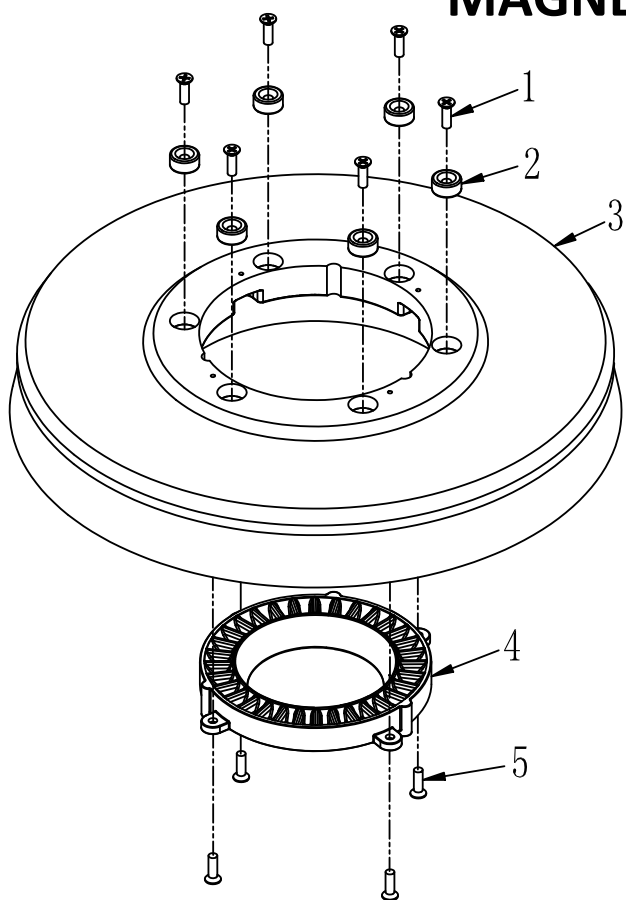
NanTong WeiZhuo Environmental Protection Equipment CO., LTD
No. 28, JingYing Road, Economic Development Zone, Qidong ,Jiangsu
Tel : +86-0513-83251999 +86-0513-83108199
Fax: +86-0513-83200070
Web: www.ntwz.cn

Specifications and parts are subject to change without notice

TABLE OF CONTENTS

REPLACEMENT BRUSH AND PAD....4	
RECOVERY TANK GROUP.....6	
VACUUM MOTOR GROUP.....8	
SOLUTION TANK GROUP.....10	
CONTROL CONSOLE GROUP.....12	
ELECTRONIC BOX 14	
PLATE AND WHEEL GROUP.....16	
SCRUB HEAD GROUP..... 18	
	SCRUB HEAD LIFT GROUP..... .20
	ELECTRONIC VALVE FILTER COMPONENTS.....22
	SQUEEGEE LIFT GROUP.....24
	SQUEEGEE GROUP.....26
	BATTERY GROUP.....28
	OFF-BOARD BATTERY CHARGER...30

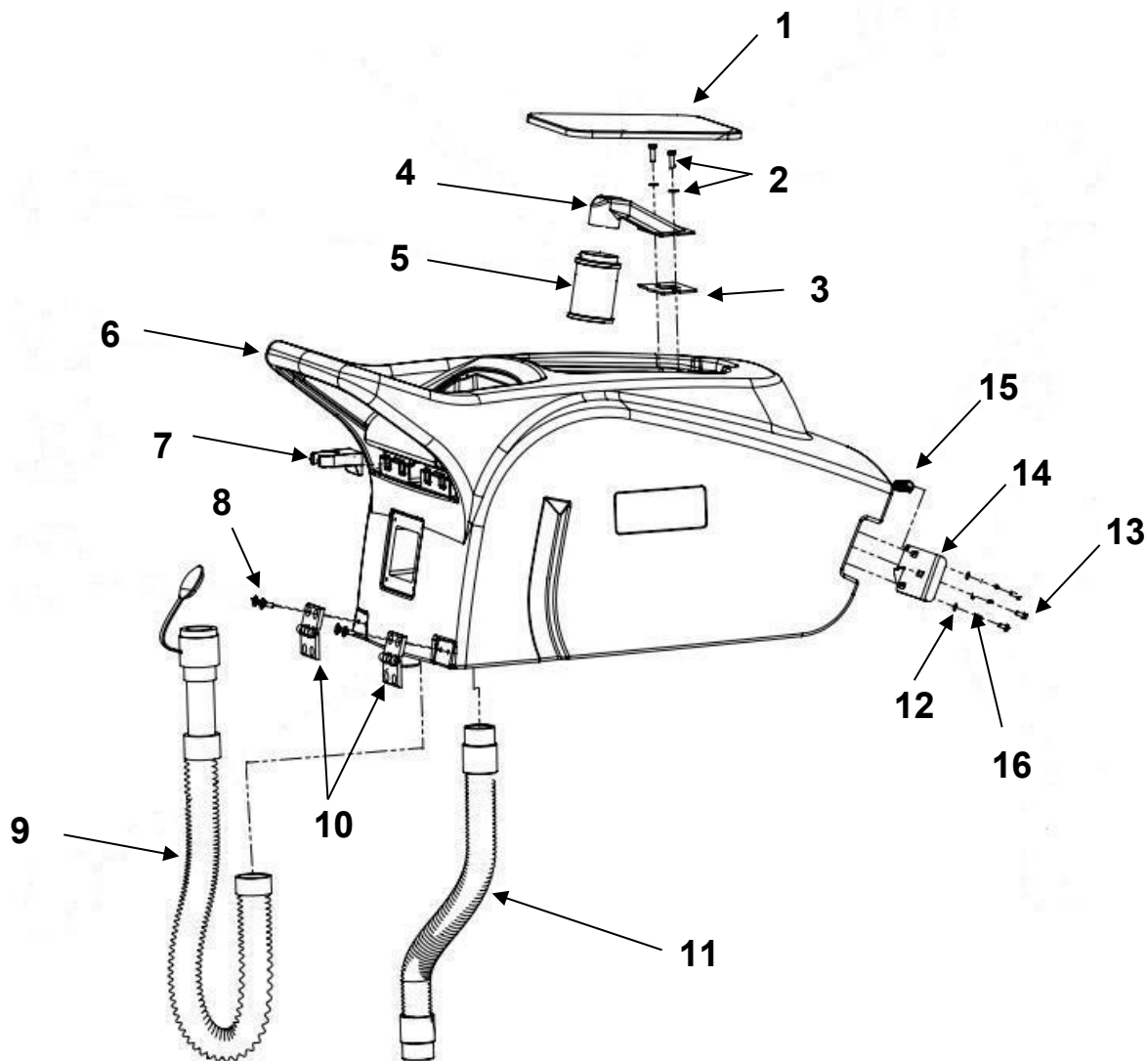
MAGNETIC BRUSH



MAGNETIC BRUSH

REF	NO	DESCRIPTION	QTY
1	846	Φ6.3*25 Screw	6
2	FD1301664 (Big)	Magnetic	6
3	S50117CL	Brush	1
4	F501714	Brush driver	1
5	846	Φ4.5*16 screw	4
6	S50104	Device, Centering	1
7	S30108	Cleaning pad	1
8	T15010	Spring	1
9	S50116CL	Pad drive	1

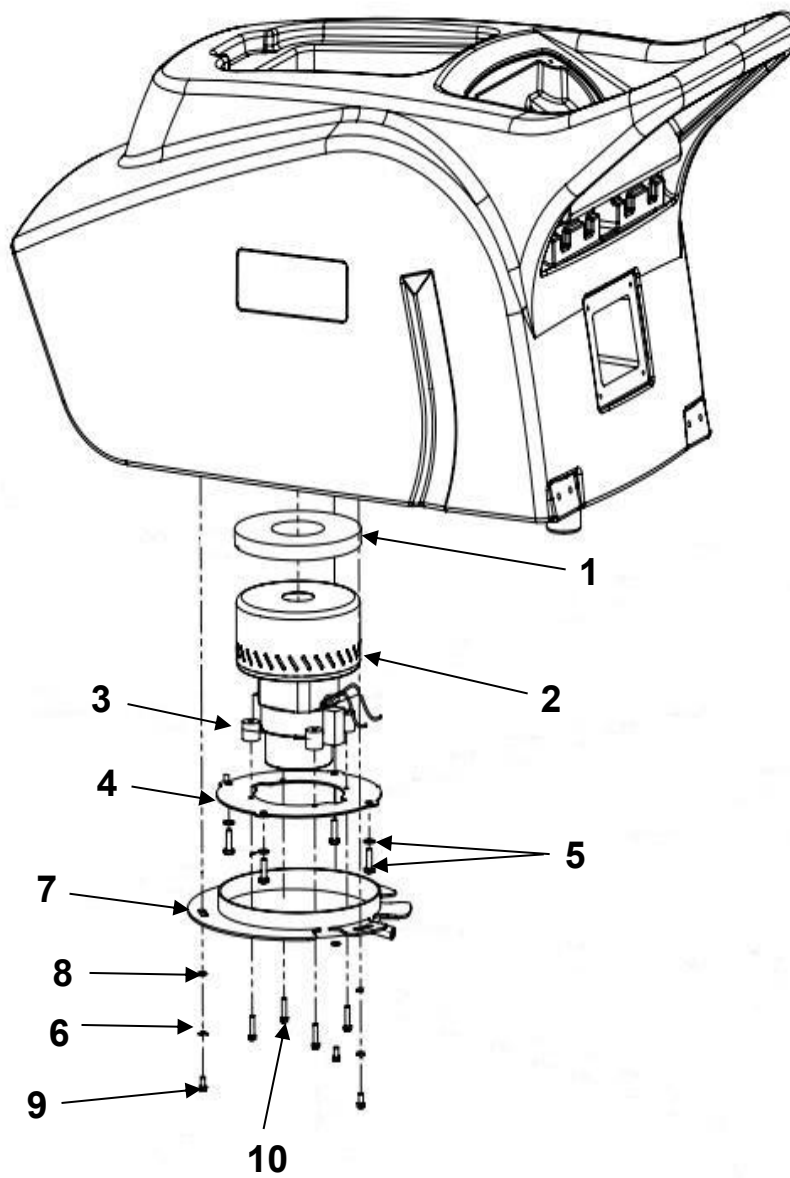
RECOVERY TANK GROUP



RECOVERY TANK GROUP

Ref.	Part No.	Description	Qty.
1	370001	Lid Assy	1
2	5789#	M6*12 Gasket	2
3	370005	M6*12 Gasket	1
4	370004	Mount, Float, Mold	1
5	170008P	Float, Shut-Off, 2 Balls	1
6	270020P	Recovery tank	1
7	270012	Clip, Hose	1
8	7991#	M6*12	4
9	270003	Hose Assy, Drain	1
10	260010P	Hinge	1
11	270004	Hose Assy, Suction	1
12		Gasket 5*13*1	3
13	818#	M5*16 (add 93#gasket M5)	3
14	260013	Buckle, Tank, Recovery	1
15	T12003	Spring ,Tank, Recovery	1
16	260008	Copper Sheathing	3

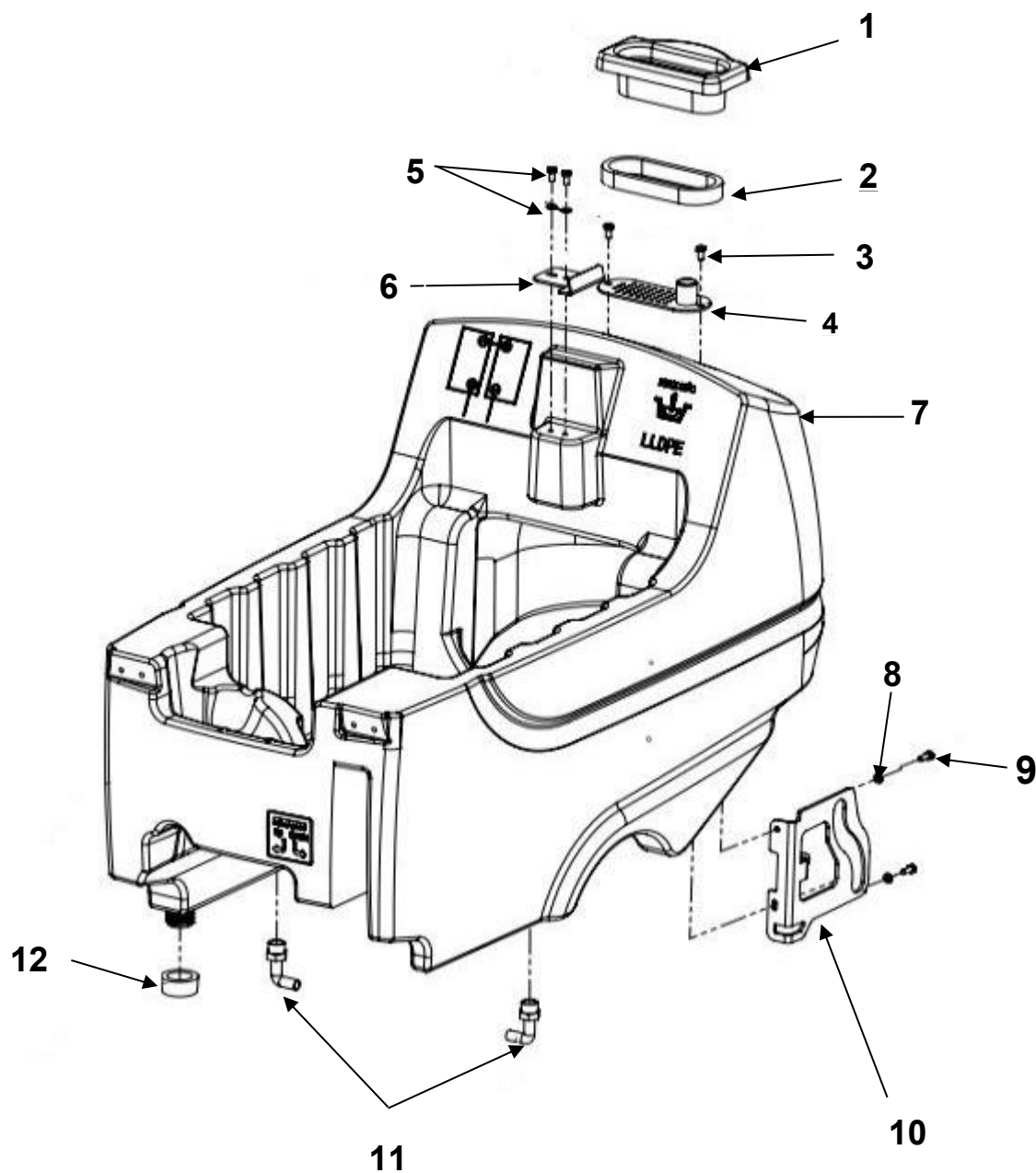
VACUUM MOTOR GROUP



VACUUM MOTOR GROUP

Ref.	Part No.	Description	Qty.
1	Z50203	Gasket, Vacuum Mtr Rubber	1
2	Z60201	Vacuum Motor	1
3	290005P	Crash Pad	4
4	260014P	Vacuum motor holder	1
5	5789#	M6*12 Gasket	4
6	93#	Gasket M5	3
7	670006	Round Lid	1
8		Gasket 5*13*1	3
9	818#	M5*12	3
10	Tapping screw	M6*12	4

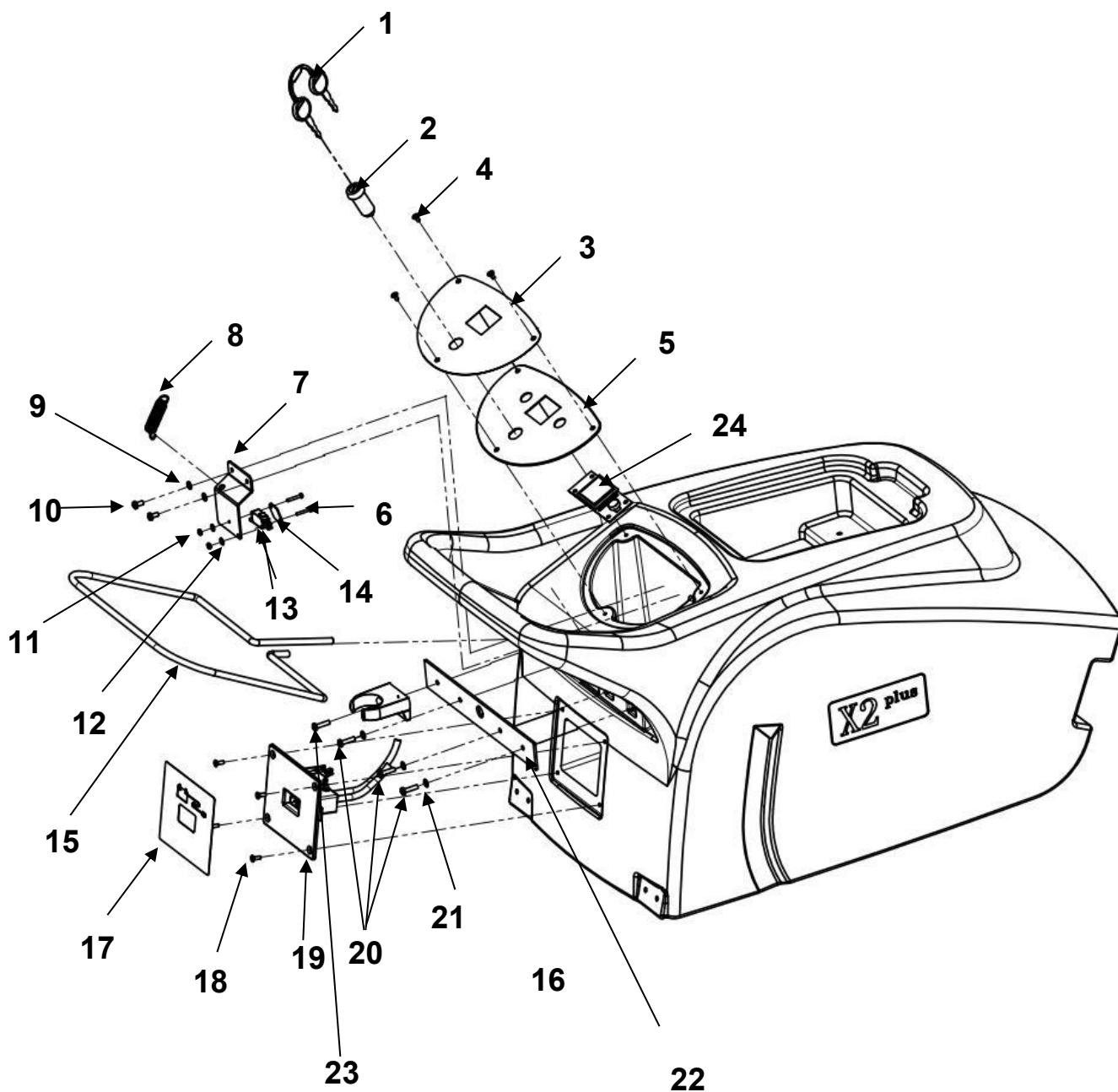
SOLUTION TANK GROUP



SOLUTION TANK GROUP

Ref.	Part No.	Description	Qty.
1	270015P	Cover, Fill, Front	1
2	290007P	Seal	1
3	818#	M5*12	2
4	270014P	Screen fltr	1
5	5789#	M6*12 Gasket	2
6	260012	Buckle, Tank, Recovery	1
7	270019P	Solution tank	1
8		Gasket 8*25*3	2
9	933#	Hex screw M8*25(add 93#gasket	2
10	260016P	Brush Lifting Plate	1
11	370031	7 shape contact	2
12	770051	Solution tank cover (With gasket	1

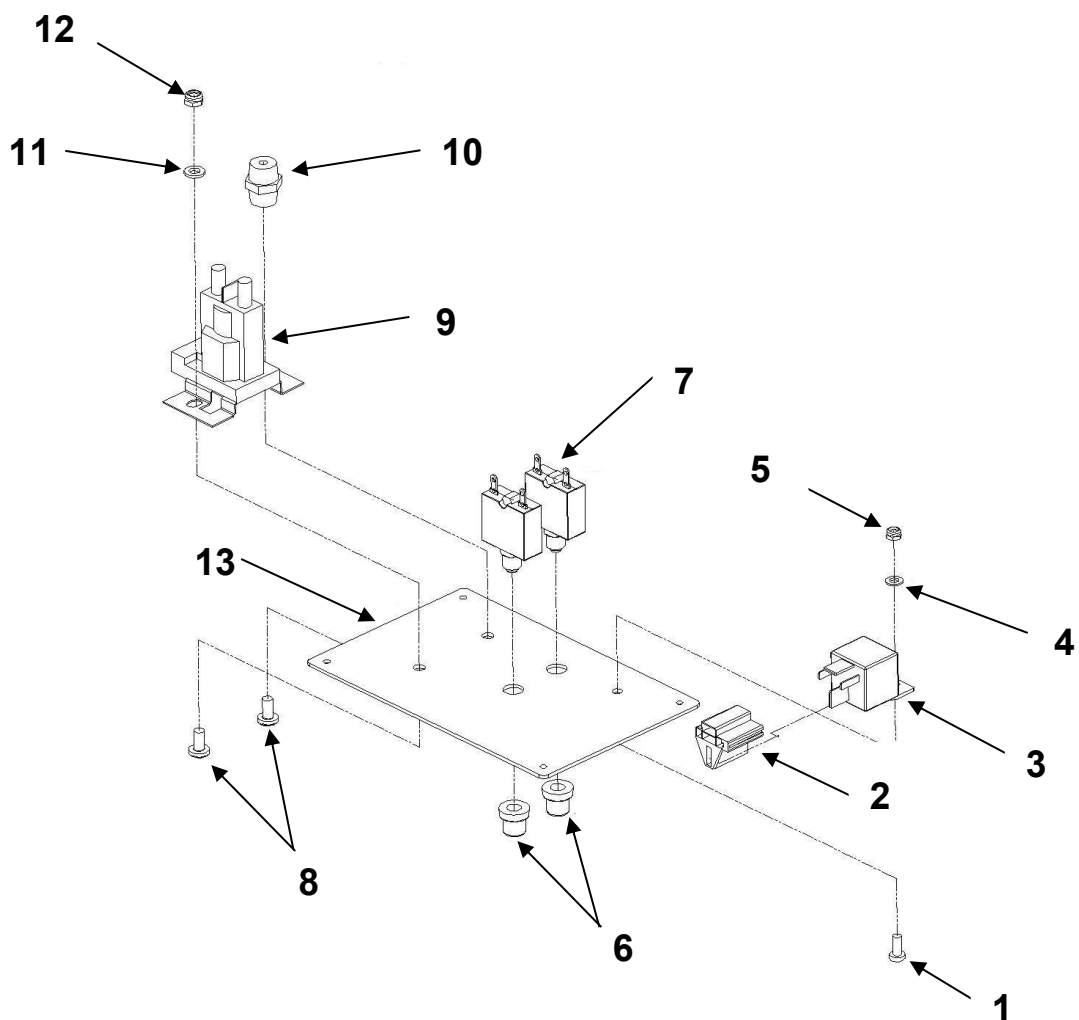
CONTROL CONSOLE GROUP



CONTROL CONSOLE GROUP

Ref.	Part No.	Description	Qty.
1	280008	key	2
2	280007	Switch, lock	1
3	TB0064/TB0065 drive	Panel stickers	1
4	818#	Big head M4*10	3
5	260022	Plastic panel paper	1
6	818#	M3*20	2
7	260014	Mount, Starting Handle	1
8	T12004		1
9	93#	Gasket M5	2
10	818#	M5*20	2
11	985#	M5	2
12	97#	Gasket M3	2
13	280001	Switch, Snap	1
14	360014	Rhombus	1
15	260023	Start handle	1
16	270012	Clip, Hose, Gripper	1
17	TB0049	Charger plug, connect, sticker	1
18	819#	M5*6	4
19	270018P	Charger plug, fix plate	1
20	818#	M5*20 (add 93# M5)	3
21		Gasket 5*13*1	4
22	260017	Bracket, Start handle	3
23	818#	M5*25	1
24	280003	LCD panel	1

ELECTRONIC VALVE FILTER COMPONENTS



ELECTRIONIC VALVE FILTER COMPONENTS

Ref.	Part No.	Description	Qty.
1	LS0011	M5X12 Screw	1
2	170048	Electric Relay Box	1
3	180015 new	Relay 24V 80a	1
4	PD0003	6X14X1 Gasket	1
5	LM0004	M6 Nut, Lock	1
6	18001	Waterproof Cap	2
7	180016	Circuit Breaker 25A	2
8	818#	M6X10 Screw	2
9	180013	DC contactor	1
10	180011	Stand-off, Wire	1
11	PD0003	6X14X1_Gasket	1
12	985#	M6_Nut, Lock	1
13	270018P	Charger plug, fix plate	1

PLATE AND WHEEL GROUP

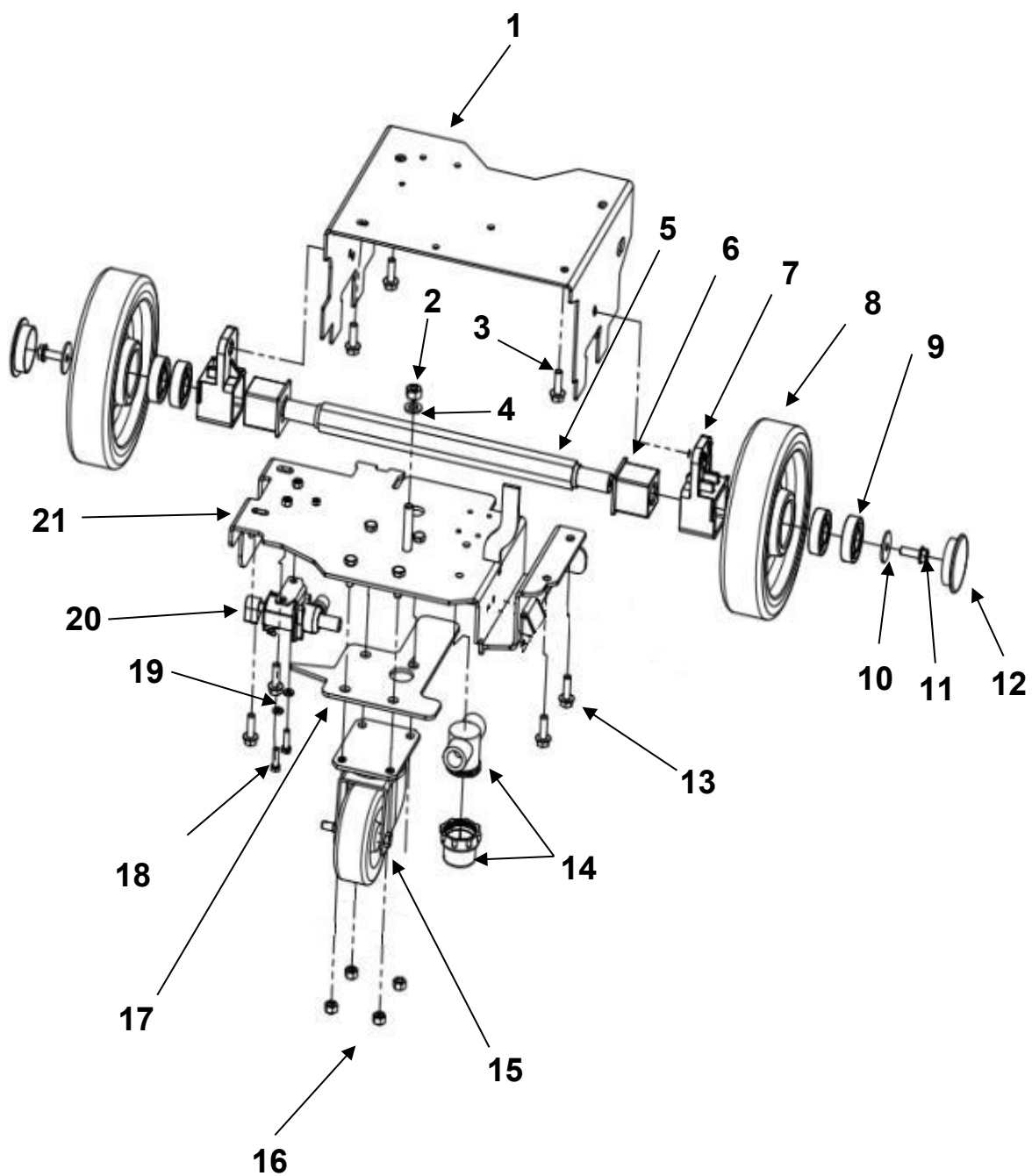


PLATE AND WHEEL GROUP

Ref.	Part No.	Description	Qty.
1	260008P	Above plate	1
2	985#	M10	1
3	5789#	M8*20	41
4	97#	Big Gasket M10	1
5	360023	Axle	1
6	370022	Grommet, Axle	1
7	360036/360036 NEW drive	Adapter	1
8	390015 new DRIVE /F509DL	Wheel, Front	2
9	115#	204 Axle	4
10		Gasket 8*32*2.5	2
11	933#	M8*16	2
12	370040	cover	2
13	5789#	M8*20	4
14	170010	Filter Assembly	1
15	290001P	Mecanum Wheels	1
16	985#	M8	4
17	260015P	Mecanum Wheels Gasket	1
18	818#	M5*16 (Add 93# gasket M5))	2
19	97#	Gasket M5	2
20	280003P	Electronic valve	1
21	290009P	Bottom plate	1

Drive tranxale Q30401

X2BP with front and back switch beside the handle 590038

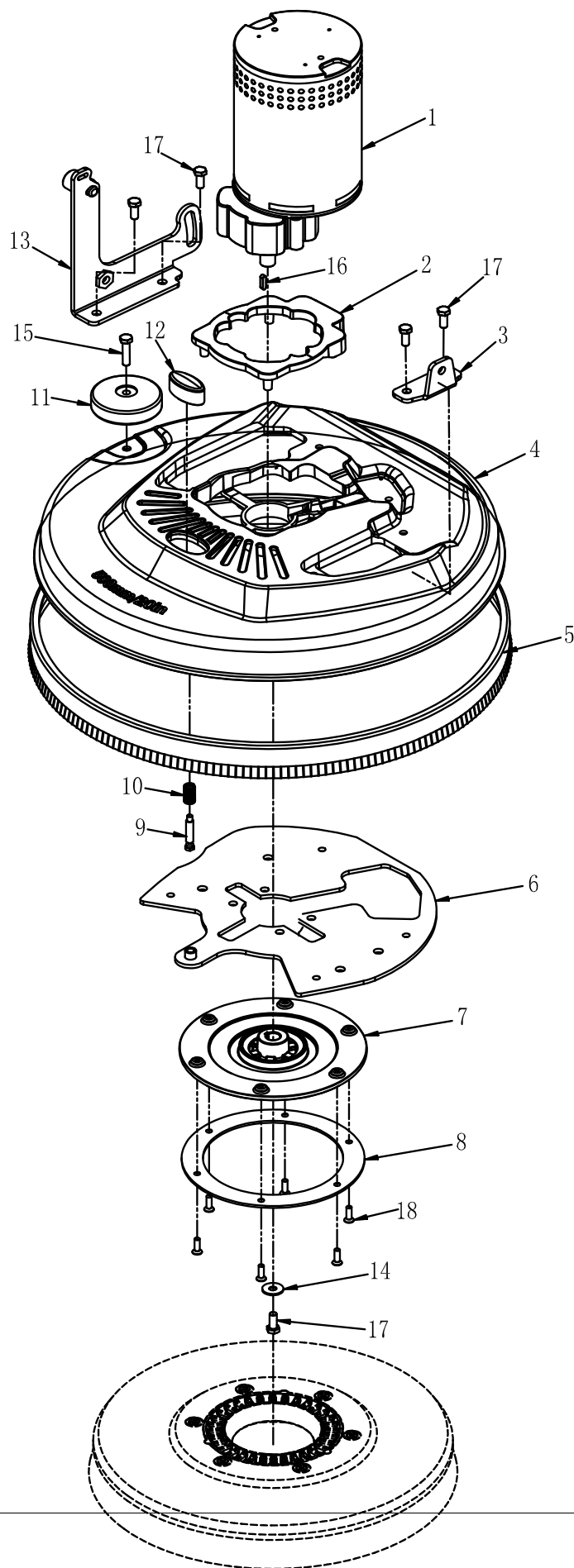
X2BP with speed governor beside the handle 180009

180014 X2BP Controller

280001p Thread X2DP

280006 Thread X2BP

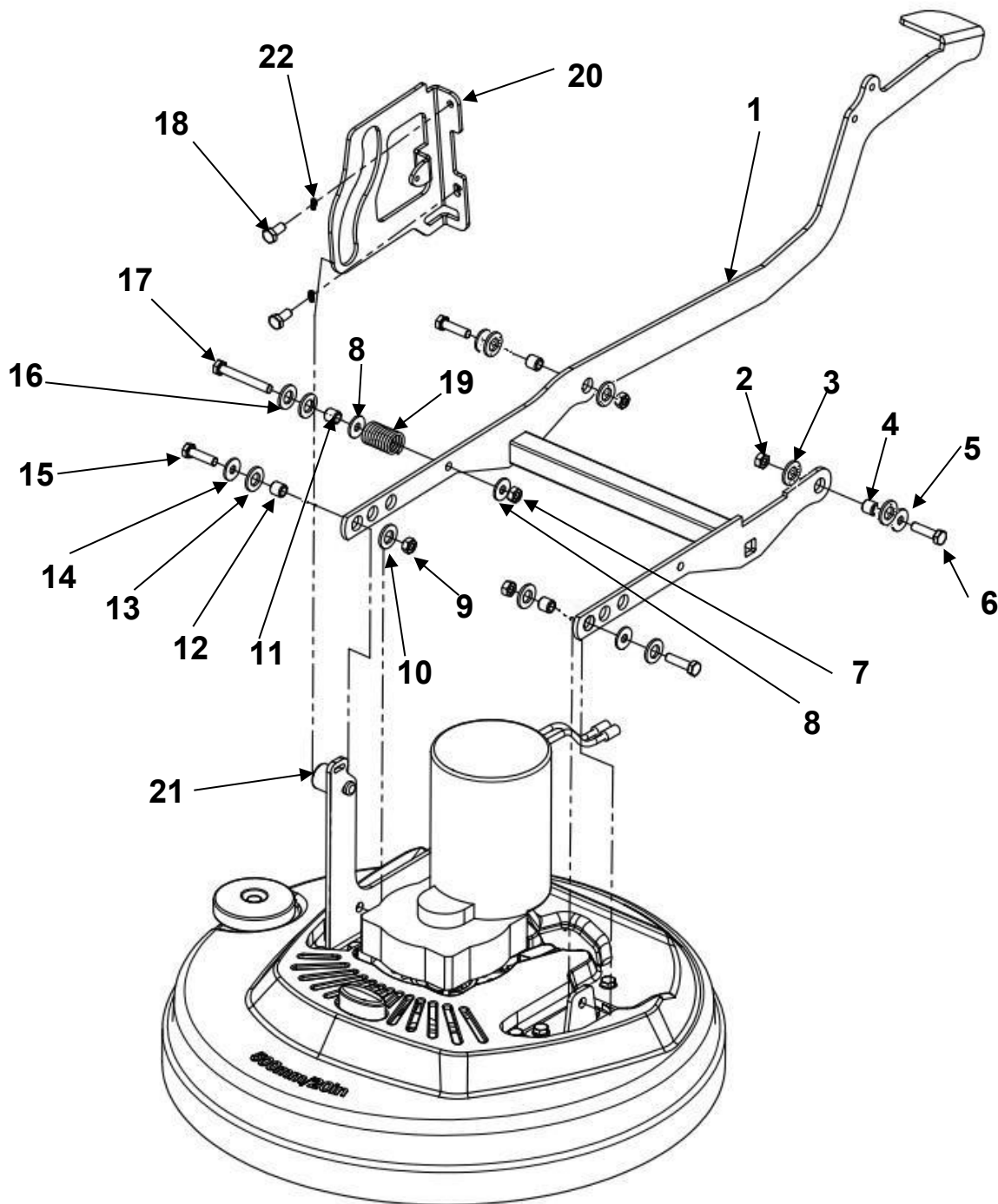
SCRUB HEAD GROUP



SCRUB HEAD GROUP

REF	CODE	DESCRIPTION	QTY
1	M50303	Brush motor	1
2	F501702	Plate,brush cover	1
3	260019P	Connection,brush lifting	1
4	270016P	Hosing ,brush	1
5	270019P	Water Fender	1
6	260017P	Fix plate,brush motor	1
7	260030PS	Brush driver	1
8	260036PS	Brush driver assy	1
9	FD501611	Discharge pin	1
10	T13005	Spring,Discharge pin	1
11	190015	fender wheel	1
12	270003P	Discharge switch	1
13	260018P	Plate,discharge lifting	1
14	PD008	Φ8*Φ22 Gasket	1
15	933	M8*25 Hex screw	1
16		6*6*20	1
17	933	M8*20 Hex screw	5
18	819	M5*12 Screw	1

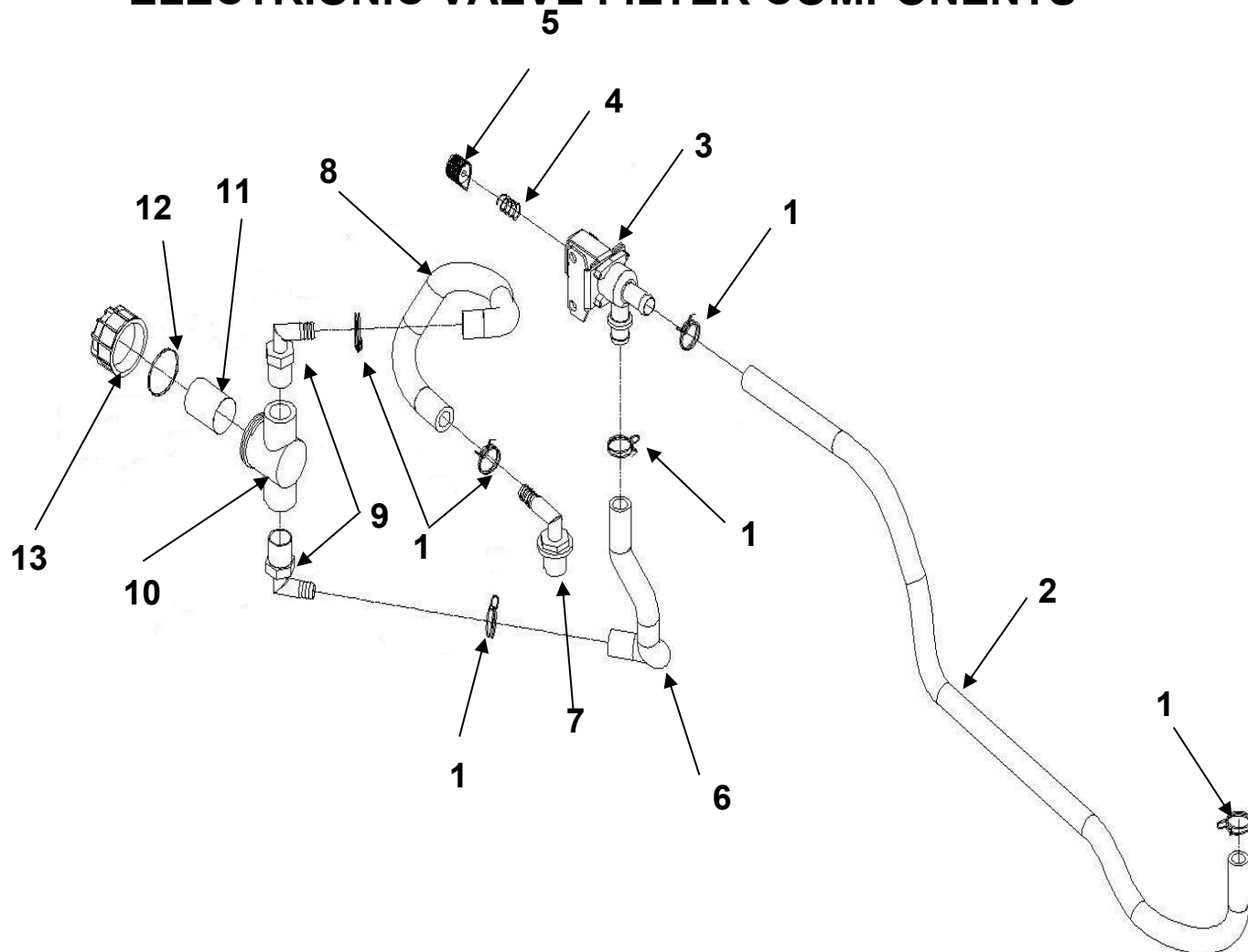
BRUSH HEAD LIFT GROUP



BRUSH HEAD LIFT GROUP

Ref.	Part No.	Description	Qty.
1	260020P	Lifting The Foot Pedal	1
2	985#	M8	2
3	PD0021		2
4	FM002	POWDER METALLURGY	2
5		Gasket 8*19*2	2
6	933#	M8*40	2
7	985#	M8	1
8		Gasket 8*22*2	2
9	985#	M8	2
10	PD0021		2
11	FM002	POWDER METALLURGY	1
12	FM002	POWDER METALLURGY	1
13	PD0021		2
14		Gasket 8*22*2	2
15	933#	M8*30	2
16	PD0021		2
17	933#	M8*60 (13mm)	1
18	933#	M8*25 Hex (Add 93# Gasket M8)	2
19	T13007	spring	1
20	260016P	Brush Lifting Plate	1
21	390021	Roller	1
22		Gasket 8*25*3	2

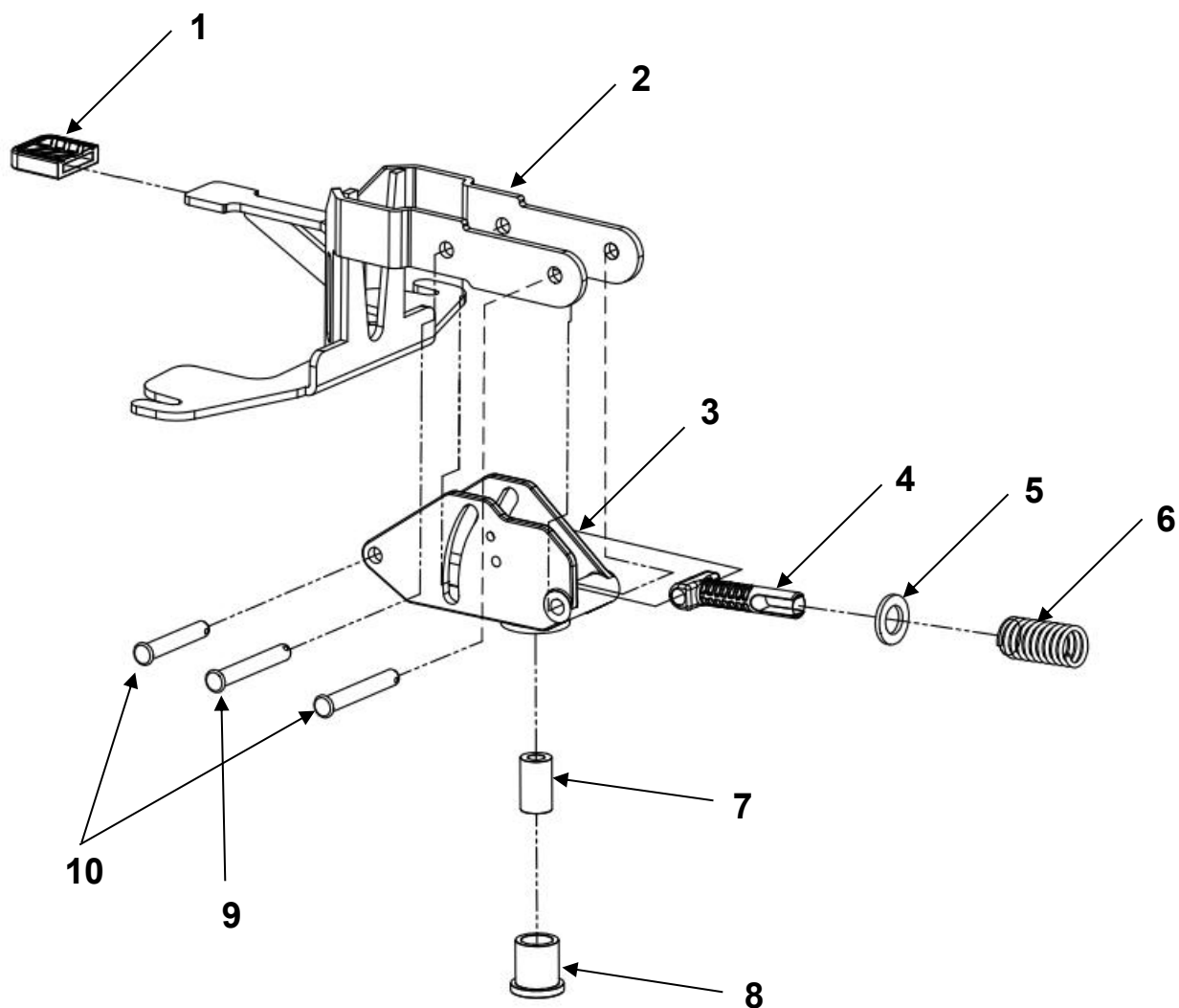
ELECTRONIC VALVE FILTER COMPONENTS



ELECTRONIC VALVE FILTER COMPONENTS

Ref.	Part No.	Description	Qty.
1	190004	Steel Clamp	6
2	370027	Hose	1
3	280003P	Electronic valve	1
4	T130502	Spring, Electronic valve	1
5	180021	Knob, Valve	1
6	Hose	1
7	570029	Contact, Filter	1
8	Hose	1
9	170010	FILTER ASSEMBLY	2
10	170011	Hosing, Top	1
11	170012	Net, Filter	1
12	170013	Pad, Filter	1
13	170014	Lid, Filter	1

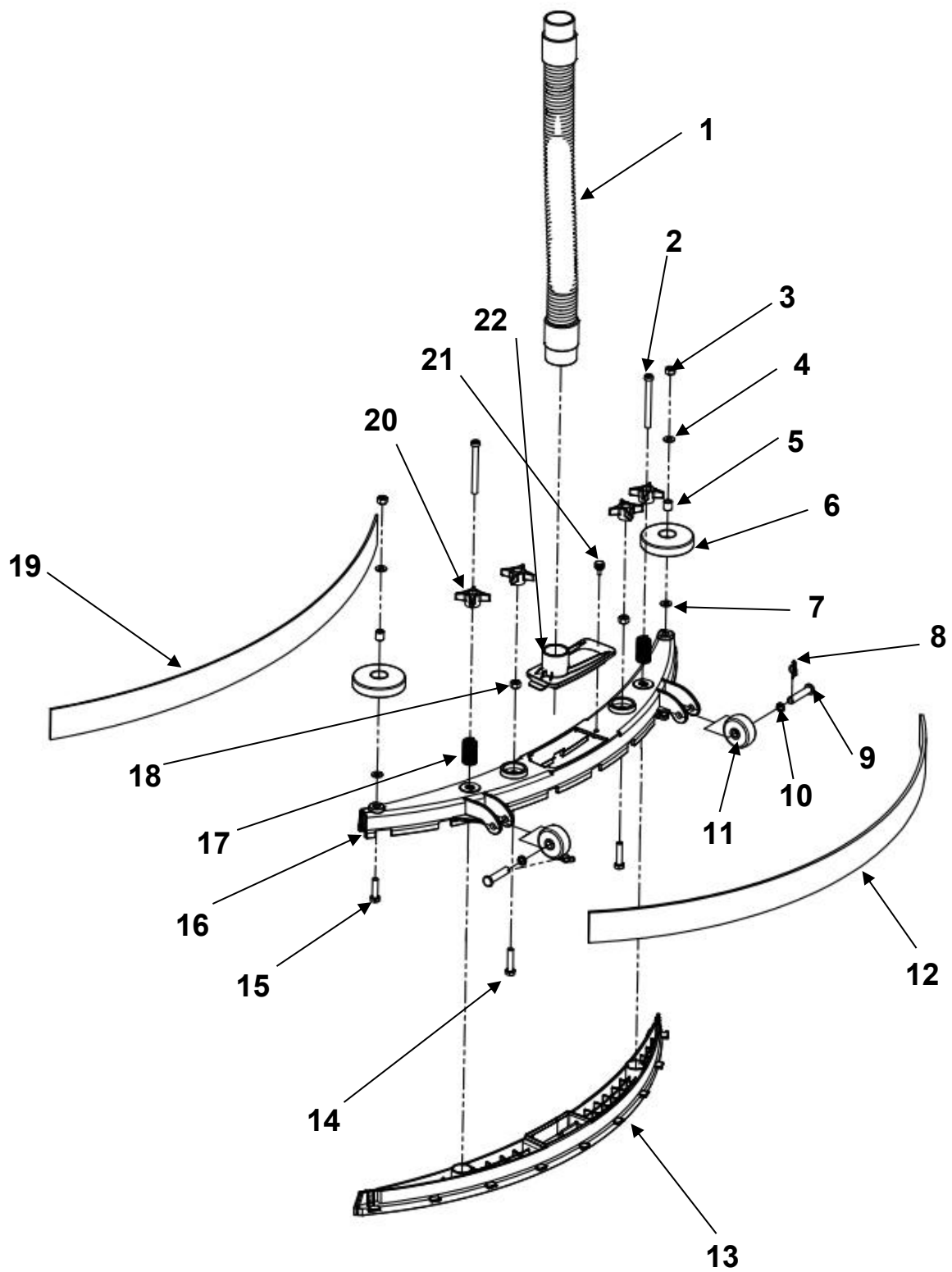
SQUEEGEE LIFT GROUP



SQUEEGEE LIFT GROUP

Ref.	Part No.	Description	Qty.
1	290015	Foot strap	1
2	260021P	Bracket ,Squeegee lifting	1
3	260011P	Steering gear assembly	1
4	270001P	Bracket, Spring, Brush lifting	1
5		Gasket 14*2	1
6	T12007	Spring	1
7	FM003	POWDER METALLURGY	1
8	260008	Copper Sheathing	1
9	260004P	pin (Spring T13008)	1
10	260005P	pin (Spring T13008)	2

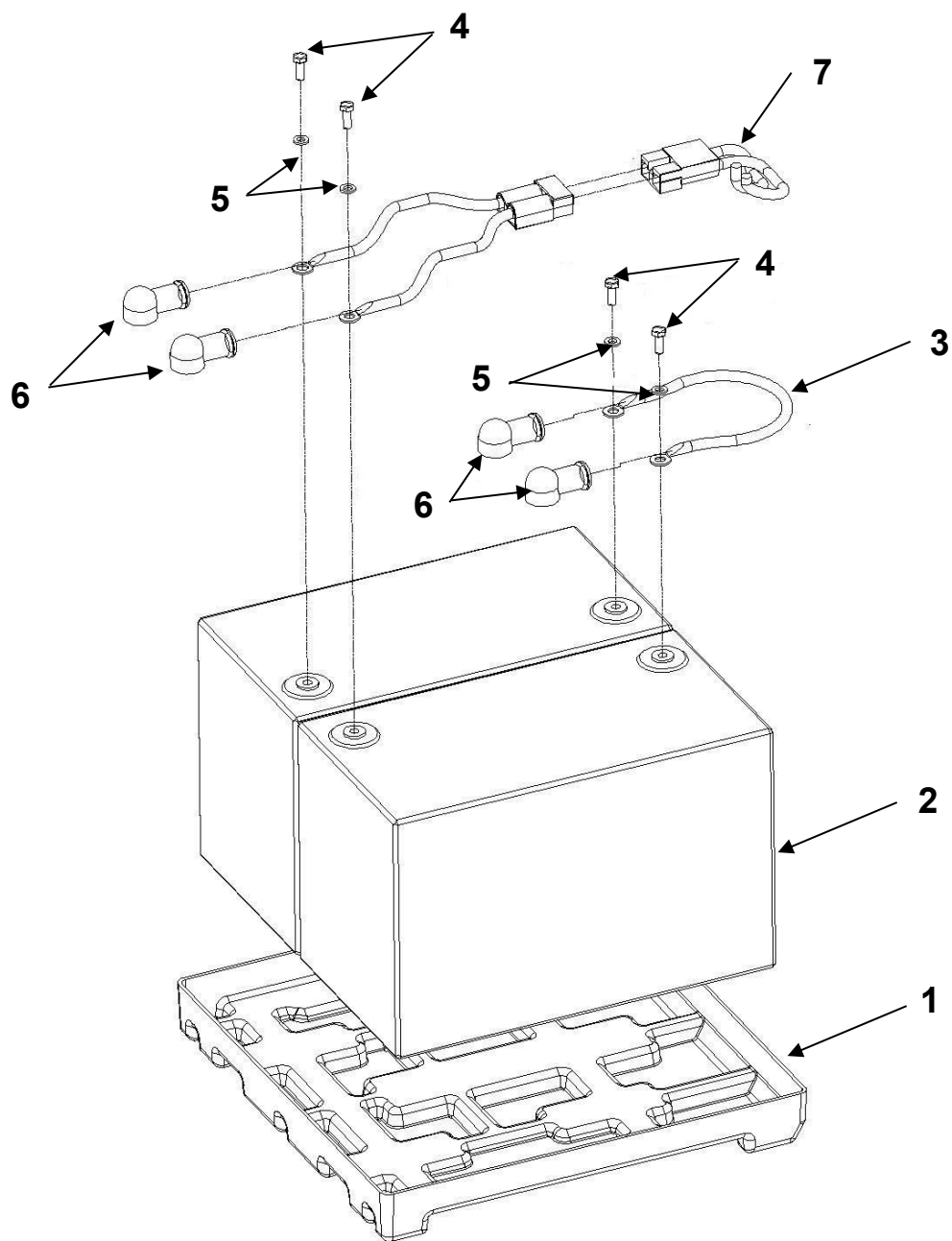
SQUEEGEE GROUP



SQUEEGEE GROUP

Ref.	Part No.	Description	Qty.
1	270004	Hose Assy, Suction	1
2		Screw M8*80	2
3	985#	M8	2
4		Gasket 8*19*2	1
5	FM002	POWDER METALLURGY	2
6	190015	Wheel, Fender	2
7		Gasket 8*19*2	1
8	T13008	Spring pin	2
9	260002P	Pin, SQGE	2
10	T12005	Caster spring SQGE	2
11	290002P Big	Caster, Swivel	2
12	270009P	Back, blade	1
13	270002P	Bracket, Sqge	1
14	933#	M8*40	2
15	933#	M8*30	2
16	260003P	Frame, Sqge	1
17	T12006	Bracket, Blade, Spring	2
18	934#	M8	2
19	270008P	Front, Blade	1
20	170018	Star knob	4
21	290003P	Screw M5*23.6	1
22	270004P	Squeegee mouth	1

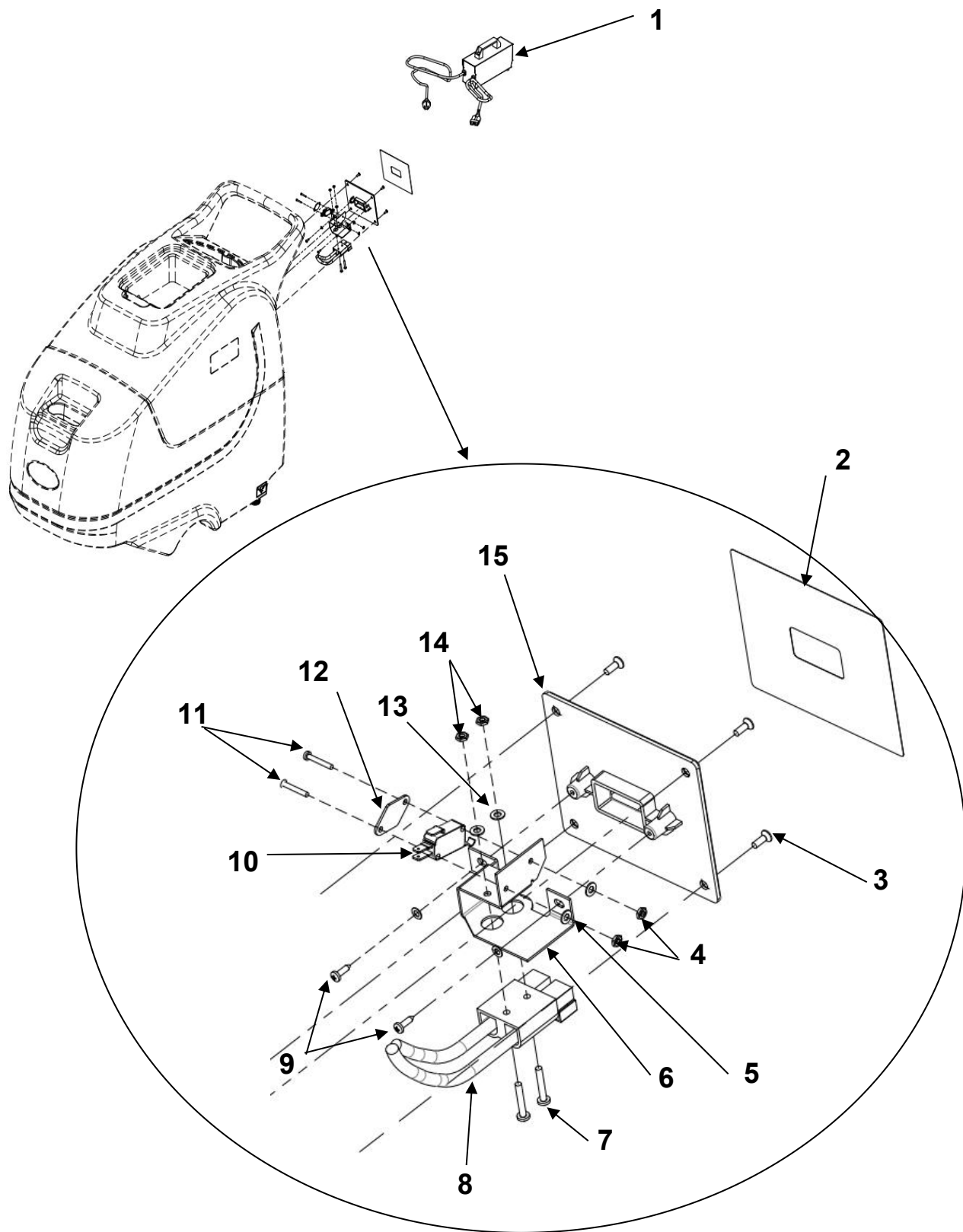
BATTERY GROUP



BATTERY GROUP

Ref.	Part No.	Description	Qty.
1	270009	Tray, Battery	1
2	390045	Battery	2
3	390023	Boot, Terminal, Battery	1
4		M6*30 Nub (battery with)	4
5		M6 Gasket (battery with)	4
6	170018(1)	Harness, Battery	4
7	180030	Plug, Charger, 80a	1
			1

OFF-BOARD BATTERY CHARGER



OFF-BOARD BATTERY CHARGER

Ref.	Part No.	Description	Qty.
1	280002	Charger	1
2	TB0049	Charger plug, connect, sticker	1
3	819#	M5*6	4
4	985#	M3	2
5	97#	3mm	2
6	260013P	Bottom Charger	1
7	818#	M3*30	2
8	180030	Plug , charger	1
9	845#	M4*10 screw	2
10	180023	Switch, Snap	1
11	818#	M3*20	2
12	360014	Rhombus	1
13	97#	Gasket 3mm	2
14	985#	M3	2
15	270018P	Charger plug, fix plate	1

Clean space I created

Green living to share with you